

Quick Start Guide

Fronius Smart Meter 63A-1



[manuals.fronius.com/
html/4204260294](https://manuals.fronius.com/html/4204260294)

**FIND MORE
INFORMATION**



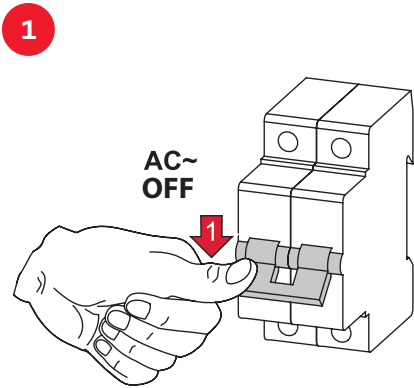
Technical Data - General	
Nominal voltage (one-phase) / Operating range	230 V / $\pm 10\%$
Nominal frequency / tolerance	50 - 60 Hz / 47 - 61 Hz
Nominal / Maximum current	10 A / 63 A
Powerfactor range (EN/IEC 62053-21, EN/IEC 62053-23)	$\cos\phi$ 0.5 ind to 0.8 cap
Permitted ambient temperature	from -25° to $+55^{\circ}\text{C}$
Mounting	DIN rail 35 mm
IP range (EN60529)	IP51 / IP20 (Front / Connections)

Communication	
Standard	RS485 - 3 conductors
Protocol	Modbus RTU
Min. Softwareversion	Datamanager 3.7.2 / Fronius Symo Hybrid 1.3.3

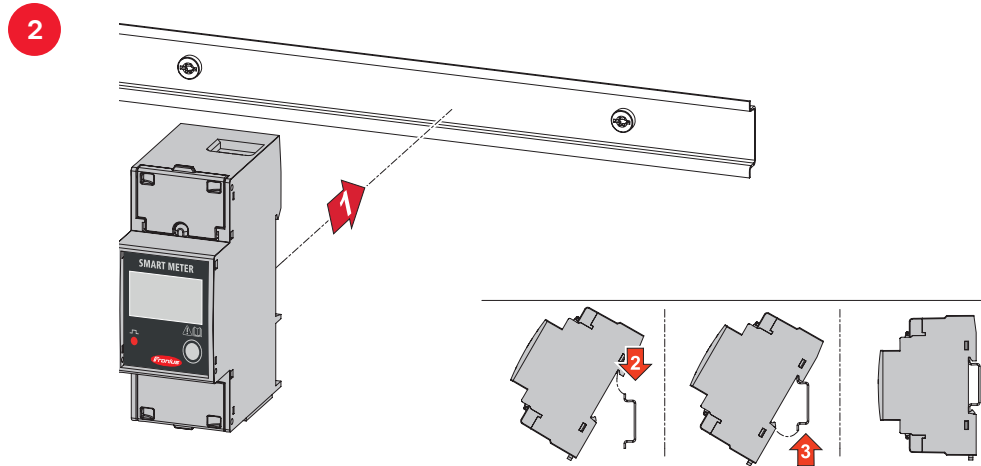
Screw terminal	
Measuring input	1 - 16 mm ² rigid 1 - 10 mm ² flexible
Output (data communication)	0,05 - 4 mm ² rigid / 0,05 - 2,5 mm ² flexible
Recommended torque	Measuring input: 1,2 Nm / max. 1,4 Nm Output: 0,5 Nm / max. 0,8 Nm

Detailed, country-specific warranty terms are available on: www.fronius.com/solar/warranty

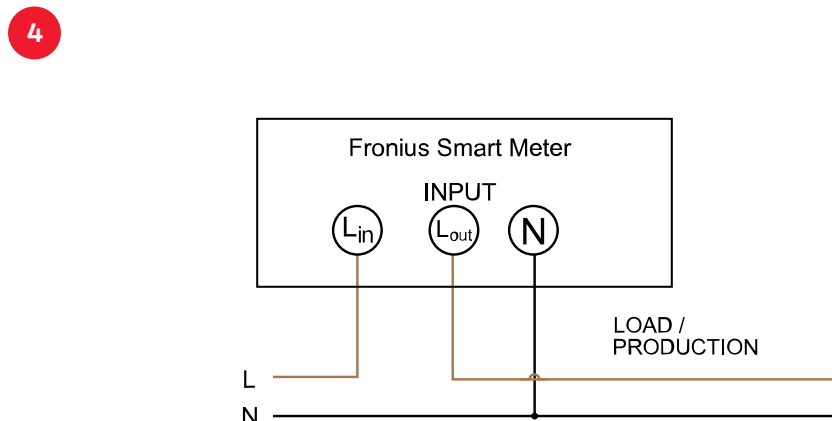
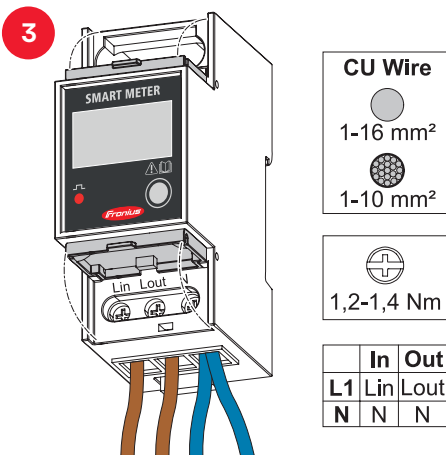
AC~



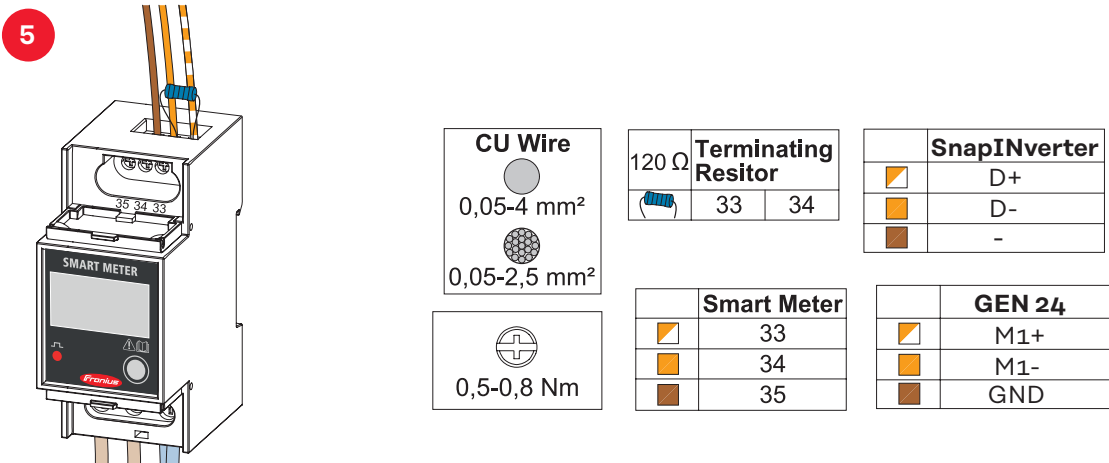
Mounting



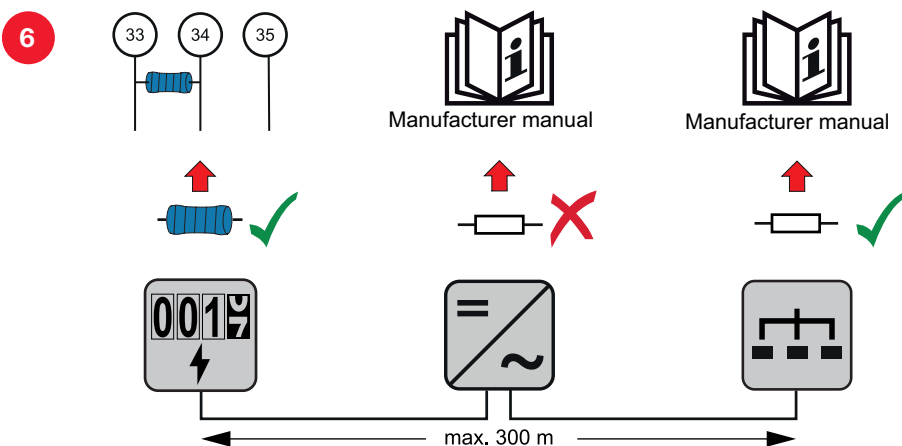
Power wiring



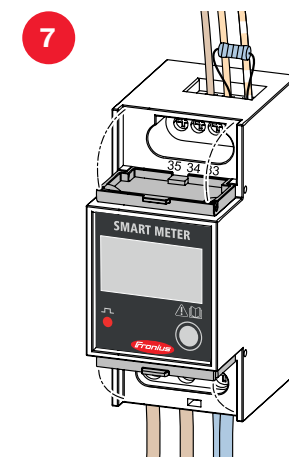
Data wiring



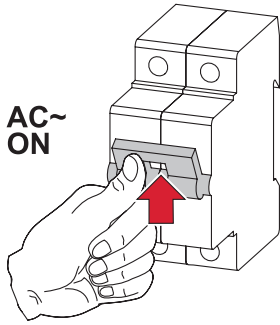
Terminating Resistor



Close & Commissioning



8



9

1x page up / value up

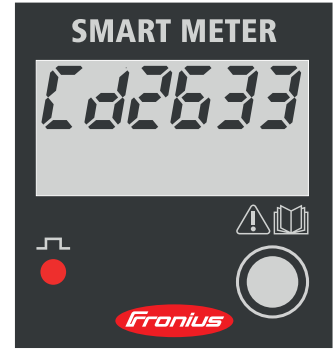


2 sec adjust / confirm



10

Set / confirm password



Factory default: 2633

11

Set / confirm modbus address (1-14)



Factory default: 001

12



Fronius Solar.start

