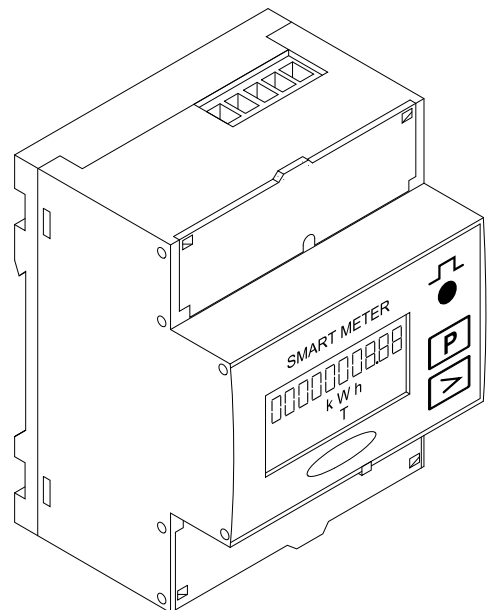


Operating Instructions

Fronius Smart Meter 50kA-3



EN-US | Operating instructions



Table of contents

Safety rules.....	4
Explanation of Safety Instructions.....	4
General.....	4
Environmental conditions.....	5
Qualified personnel.....	5
Copyright.....	5
Data backup.....	5
General.....	6
Device description.....	6
Information on the device.....	6
Positioning.....	6
Installation.....	8
Checklist for installation.....	8
Installation.....	8
Protective circuit.....	8
Cabling.....	9
Selection criteria for current transformers.....	11
Connecting the current transformers.....	12
Suitable voltage transformers.....	12
Connecting the data communication cable to the inverter.....	13
Terminating resistors - explanation of symbols.....	14
Terminating resistors.....	14
Setting the transformation ratio of the current and voltage transformers on the Fronius Smart Meter.....	16
Multi meter system - Explanation of symbols.....	16
Modbus participant - Fronius SnapINverter.....	17
Multi meter system - Fronius SnapINverter.....	17
Modbus participant - Fronius GEN24.....	18
Multi meter system - Fronius GEN24 inverter.....	19
Menu structure.....	20
Setting the address of the Fronius Smart Meter.....	20
Reading the Fronius Smart Meter operating parameters.....	21
Commissioning	23
Fronius SnapINverter.....	25
General.....	25
Connect to Fronius Datamanager 2.0.....	25
Configuring the Fronius Smart Meter as the primary meter.....	25
Configuring the Fronius Smart Meter as a secondary meter.....	26
Fronius GEN24 inverter.....	27
General.....	27
Installation using the web browser.....	27
Configuring the Fronius Smart Meter as the primary meter.....	28
Configuring the Fronius Smart Meter as a secondary meter.....	28
Technical data.....	30
Technical data.....	30
Fronius manufacturer's warranty.....	33

Safety rules

Explanation of Safety Instructions

DANGER!

Indicates an immediate danger.

- ▶ Death or serious injury may result if appropriate precautions are not taken.
-

WARNING!

Indicates a possibly dangerous situation.

- ▶ Death or serious injury may result if appropriate precautions are not taken.
-

CAUTION!

Indicates a situation where damage or injury could occur.

- ▶ Minor injury or damage to property may result if appropriate precautions are not taken.
-

NOTE!

Indicates the possibility of flawed results and damage to the equipment.

General

The device has been manufactured using state-of-the-art technology and according to recognized safety standards. If used incorrectly or misused, however, it can cause

- serious or fatal injury to the operator or a third party,
 - and damage to the device and other material assets belonging to the operating company.
-

All persons involved in start-up operation, maintenance and servicing of the device must

- be suitably qualified,
 - have knowledge of and experience in dealing with electrical installations and
 - have fully read and precisely followed these Operating Instructions.
-

The Operating Instructions must always be kept on hand wherever the device is being used. In addition to the Operating Instructions, all applicable local rules and regulations regarding accident prevention and environmental protection must also be followed.

All safety and danger notices on the device

- must be kept in a legible state
 - must not be damaged/marked
 - must not be removed
 - must not be covered, pasted, or painted over.
-

The terminals can reach high temperatures.

Only operate the device when all protection devices are fully functional. If the protection devices are not fully functional, there is a risk of

- serious or fatal injury to the operator or a third party,
 - and damage to the device and other material assets belonging to the operating company.
-

Any safety devices that are not functioning properly must be repaired by an authorized specialist before the device is switched on.

Never bypass or disable protection devices.

For the location of the safety and danger notices on the device, refer to the section headed "General" in the Operating Instructions for the device.

Any equipment malfunctions which might impair safety must be remedied immediately before the device is turned on.

Your personal safety is at stake!

Environmental conditions

Operation or storage of the device outside the stipulated area will be deemed as not in accordance with the intended purpose. The manufacturer accepts no liability for any damage resulting from improper use.

Qualified personnel

The servicing information contained in these Operating Instructions is intended only for the use of qualified service engineers. An electric shock can be fatal. Do not carry out any actions other than those described in the documentation. This also applies to qualified personnel.

All cables and leads must be secured, undamaged, insulated, and adequately dimensioned. Loose connections, scorched, damaged, or under-dimensioned cables and leads must be repaired immediately by an authorized specialist.

Maintenance and repair work must only be carried out by an authorized specialist.

It is impossible to guarantee that externally (aka, third-party) procured parts are designed and manufactured to meet the demands made on them, or that they satisfy safety requirements. Use only original spare parts (also applies to standard parts).

Do not carry out any alterations, installations, or modifications to the device without first obtaining the manufacturer's permission.

Components that are not in perfect condition must be changed immediately.

Copyright

Copyright of these operating instructions remains with the manufacturer.

Text and illustrations were accurate at the time of printing, subject to change. We are grateful for suggestions for improvement and information on any discrepancies in the operating instructions.

Data backup

With regard to data security, the user is responsible for:

- backing up any changes made to the factory settings
- saving and storing personal settings

General

Device description

The Fronius Smart Meter is a bidirectional electricity meter for optimizing self-consumption and recording a household's load characteristic curve. Together with a Fronius inverter or Fronius Datamanager 2.0 and a Fronius data interface, the Fronius Smart Meter allows you to view your own power consumption. The meter measures the energy flow to the loads or to the public grid and forwards the information to the Fronius inverter or Fronius Datamanager 2.0 via the Modbus RTU/RS485 interface.

CAUTION!

Danger due to non-compliance with the safety instructions

Risk of injury and damage to the device as a result.

- ▶ Follow all safety instructions.
 - ▶ Switch off the power supply before establishing the mains connection.
-

Information on the device

Technical data, labels, and safety symbols are located on the Fronius Smart Meter. They must not be removed or painted over. They warn against incorrect operation, as this may result in serious injury and property damage.

Symbols on the rating plate:



CE label

The equipment complies with all the requisite and relevant standards and directives that form part of the relevant EU directive, and therefore is permitted to display the CE label.



RCM (Regulatory Compliance Mark)

All relevant regulatory requirements in Australia and New Zealand are complied with in terms of safety and electromagnetic compatibility, as well as special requirements for radio equipment.



WEEE label

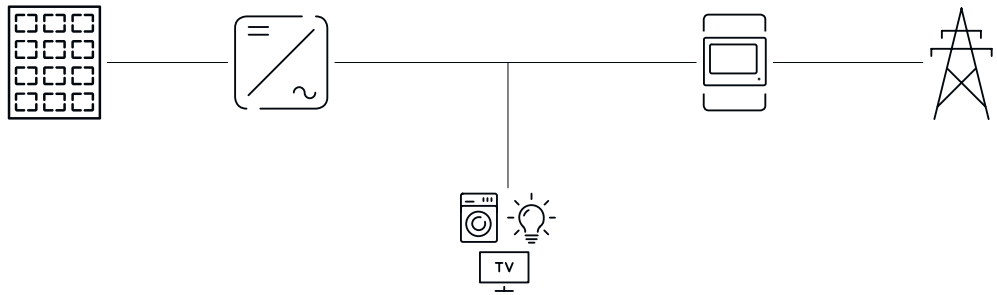
To comply with European Directive 2012/19/EU on Waste Electrical and Electronic Equipment and its implementation as national law, electrical equipment that has reached the end of its life must be collected separately and returned to an approved recycling facility. Any device that you no longer require must be returned to your distributor, or you must locate the approved collection and recycling facilities in your area. Ignoring this European Directive may have potentially adverse effects on the environment and your health.

Positioning

The Fronius Smart Meter can be installed at two possible locations in the system, at the feed-in point and at the consumption point.

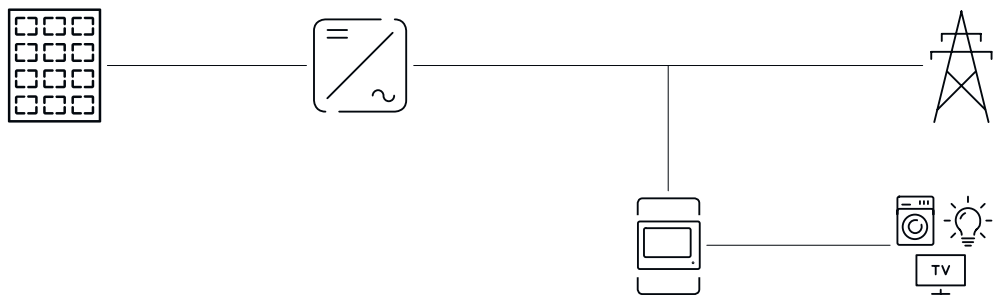
Positioning at the feed-in point

The positioning of the Fronius Smart Meter at the feed-in point.



Positioning at the consumption point

The positioning of the Fronius Smart Meter at the consumption point.



Installation

Checklist for installation

For installation information, see the following chapters:

- 1 Switch off the power supply before establishing a grid connection.
- 2 Mount the Fronius Smart Meter (see [Installation](#) on page 8).
- 3 Connect automatic circuit breakers or automatic circuit breakers and disconnectors (see [Protective circuit](#) on page 8).
- 4 Connect the mains cable to the Fronius Smart Meter (see [Cabling](#) on page 9).
- 5 Mount the current transformers on the conductors. Make sure that the current transformers are pointing in the correct direction. An arrow either points to the load or the source (public grid) (see [Connecting the current transformers](#) on page 12).
- 6 Connect the current transformer and Fronius Smart Meter (see [Connecting the current transformers](#) on page 12).
- 7 Make sure that the current transformer phases match the mains voltage phases (see [Connecting the current transformers](#) on page 12).
- 8 Note down the nominal current of the current transformer for each meter. These values will be required during setup.
- 9 Connect the output terminals of the Fronius Smart Meter to the Fronius inverter (see [Connecting the data communication cable to the inverter](#) on page 13).
- 10 If necessary, set terminating resistors (see [Terminating resistors](#) on page 14).
- 11 Tug on each wire and plug to make sure that they are securely connected to the terminal blocks.
- 12 Switch on the power supply to the Fronius Smart Meter.
- 13 Check the firmware version of the Fronius inverter. To ensure compatibility between the inverter and the Fronius Smart Meter, the software must always be kept up to date. The update can be started via the inverter web page or using Solar.web.
- 14 Set the transformation ratio of the current and voltage transformers (see [Setting the transformation ratio of the current and voltage transformers on the Fronius Smart Meter](#) on page 16).
- 15 If several Fronius Smart Meters are installed in the system, set the address (see "Setting the address" under [Setting the address of the Fronius Smart Meter](#) on page 20).
- 16 Configure and commission the meter (see [Commissioning](#) on page 23).

Installation

The Fronius Smart Meter can be mounted on a 35 mm DIN rail. The housing comprises 4 DUs (division units, max. 72 mm).

Protective circuit

The Fronius Smart Meter is a hard-wired device and requires a disconnecting device (circuit breaker, switch, or disconnector) and overcurrent protection (automatic circuit breaker).

The Fronius Smart Meter consumes 10 - 30 mA. The nominal capacity of the disconnecting devices and the overcurrent protection is determined by the wire thickness, the mains voltage, and the required breaking capacity.

- Disconnecting devices must be mounted within sight and as close as possible to the Fronius Smart Meter; they must also be easy to use.
- The disconnecting devices must satisfy the requirements of IEC 60947-1 and IEC 60947-3, as well as all national and local regulations for electrical systems.
- Use overcurrent protection rated for max. 63 A.
- To monitor more than one mains voltage, use connected automatic circuit breakers.
- The overcurrent protection must protect the grid terminals marked L1, L2, and L3. In rare cases, the neutral conductor has an overcurrent protection which must simultaneously interrupt neutral and ungrounded lines.

Cabling

WARNING!

Danger from mains voltage.

An electric shock can be fatal.

- Switch off the power supply before connecting the mains voltage inputs to the Fronius Smart Meter.

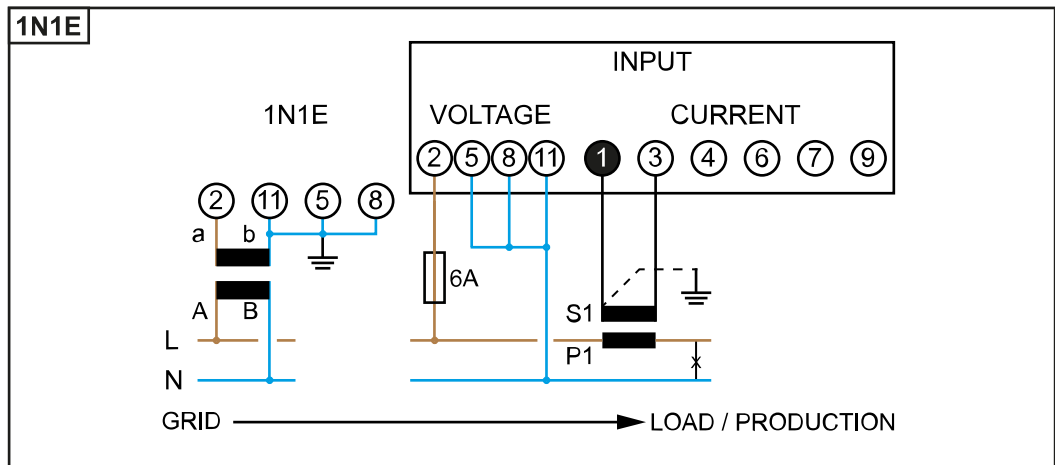
IMPORTANT!

Do not install more than one cable per screw terminal. If necessary, use terminal blocks. The measuring inputs of the current transformers must be grounded on one side as shown in the circuit diagram.

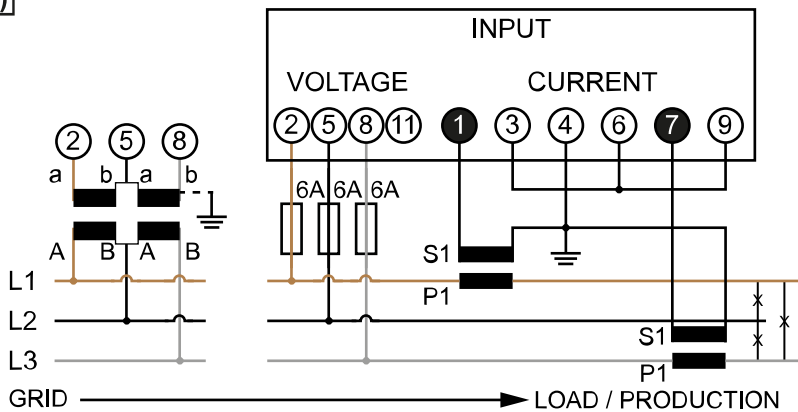
Connection cross-section:

- Wire (rigid): min. 0.05 mm² / max. 4 mm²
- Wire (flexible): min. 0.05 mm² / max. 2.5 mm²
- Recommended torque: 0.5 Nm / max. 0.8 Nm

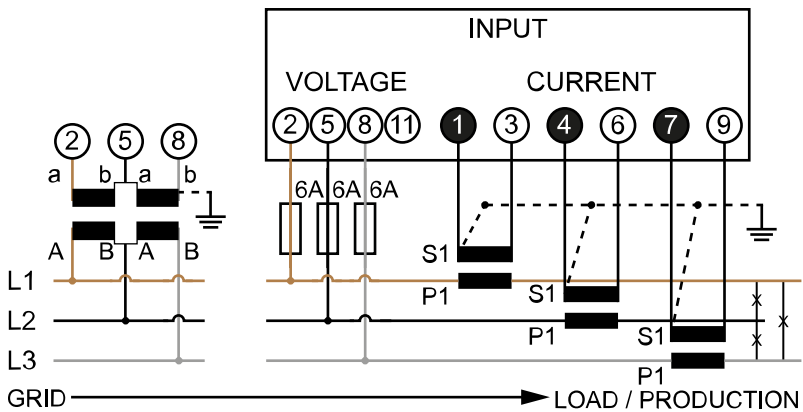
Connect each voltage cable to the terminal strip as shown in the graphics below.



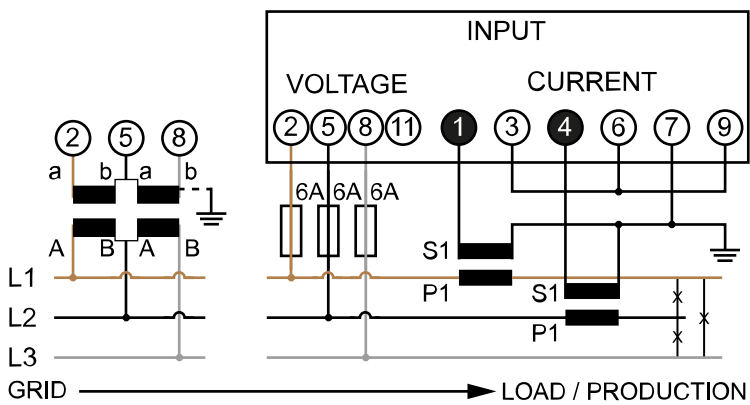
3-2E (1-3)



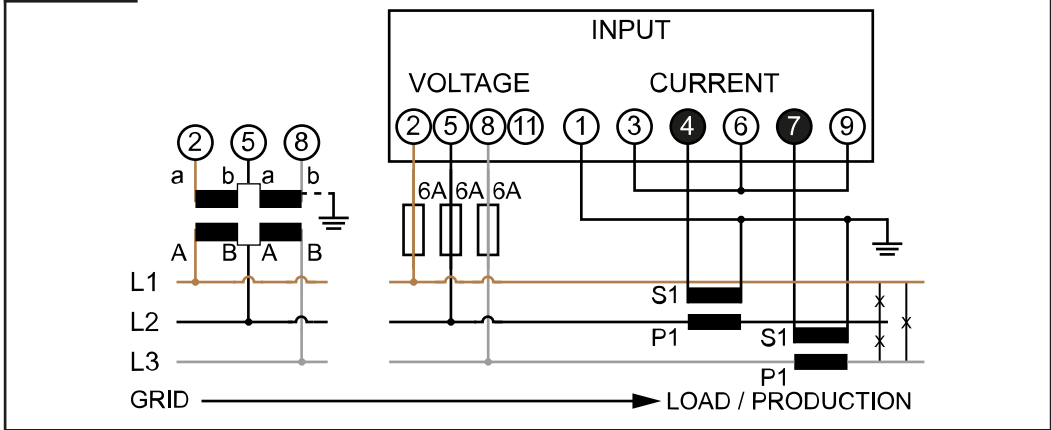
3-3E



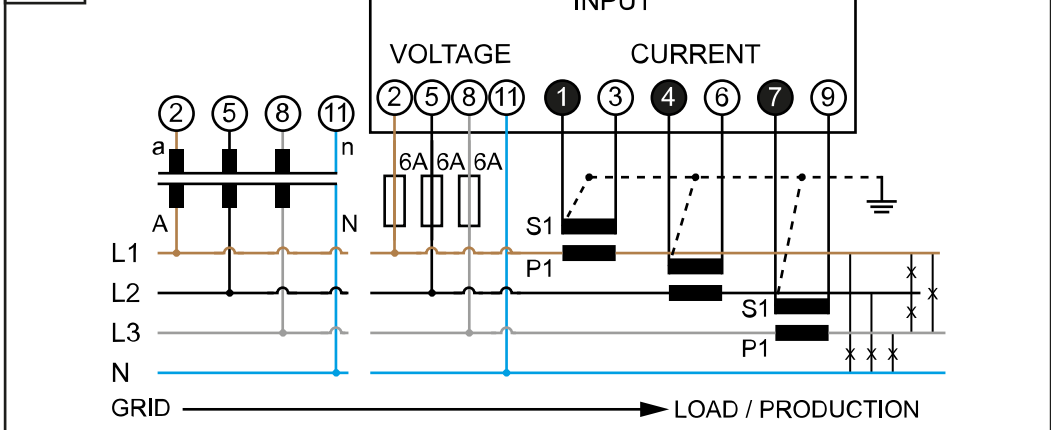
3-2E (1-2)



3-2E (2-3)



3N3E



Selection criteria for current transformers

General

Do not use current transformers with a voltage output. Current transformers are directional. If they are mounted backwards or with swapped wires, the measured power will be negative.

Primary current

Maximum current per phase. A current transformer with a primary current greater than the maximum expected current per phase should be selected. The closer the expected current is to this value, the more precise the measurement will be.

Secondary current

The current transformer must supply alternating current at a nominal current of 1 or 5 A. The nominal values for the current transformer are listed in the current transformer data sheet.

Power

The Fronius Smart Meter needs 0.3 VA to carry out its measurements. Losses also occur on the outgoing and return leads. The power of the current transformer must be greater than the sum total of the power of the Fronius Smart Meter and the leads. The higher the power, the better.

Line resistances at different cross-sections (copper wires)						
Secondary current [A]	Cross-section [mm ²]	Line resistances at different lead lengths (outgoing and return lead)				
		0.5 m	1.0 m	2.5 m	5 m	10 m
5	1.5	0.3 VA	0.6 VA	1.5 VA	2.9 VA	5.8 VA
5	2.5	0.2 VA	0.4 VA	0.9 VA	1.8 VA	3.6 VA
5	4	-	-	0.6 VA	1.1 VA	2.2 VA

Example

The length of the outgoing and return lead (0.5 m each) between the Fronius Smart Meter and the current transformer is a total of 1 m and has a copper cable cross-section of 1.5 mm²; the line resistance is therefore 0.6 VA according to the table above. The self-consumption of the Fronius Smart Meter is 0.3 VA.

Line resistance 0.6 VA + self-consumption 0.3 VA = 0.9 VA

→ A current transformer with a rating of 1 VA, 1.5 VA, 5 VA, or higher is suitable here.

Accuracy class

Use Class 1 or better (Class 0.5, 0.2, etc.). Class 1 is equivalent to a deviation of ± 1% of the secondary current at maximum power.

Mounting

Rigid or hinged.

"Rigid" is usually cheaper with better power and accuracy values. Hinged current transformers can be opened for attachment to the conductor. To prevent it being opened inadvertently, a plastic cable tie can be secured to the current transformer. Hinged current transformers can be installed in a system without interrupting the voltage.

Connecting the current transformers

- Make sure that the current transformers match the voltage phases. Make sure that current transformer L1 measures the current on the same phase that is monitored by voltage input L1. The same applies for phases L2 and L3.
- Make sure that the current transformers are pointing in the correct direction. Observe the data sheet for the current transformer.

Attach the current transformers to the conductor to be measured and connect the current transformer cables to the Fronius Smart Meter. Always switch off the power supply before disconnecting live conductors.

The current transformers are connected to connections 1 and 3; 4 and 6; 7 and 9. If necessary, excessively long cables can be shortened accordingly. Observe the sequence in which the phases are connected. Accurate power measurement is only ensured if the mains voltage phases match the current phases.

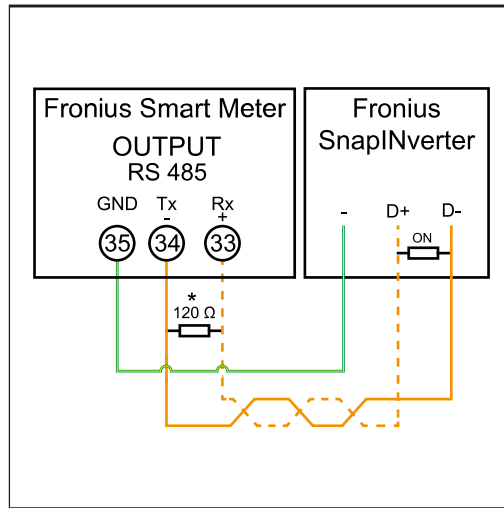
Suitable voltage transformers

Suitable voltage transformers: Only voltage transformers with a voltage range from 210 to 440 V (phase - phase) may be used. The voltage transformers must be connected to terminals 2, 5, 8, and 11 at the point of direct voltage measurement.

Connecting the data communication cable to the inverter

Fronius SnapINverter:

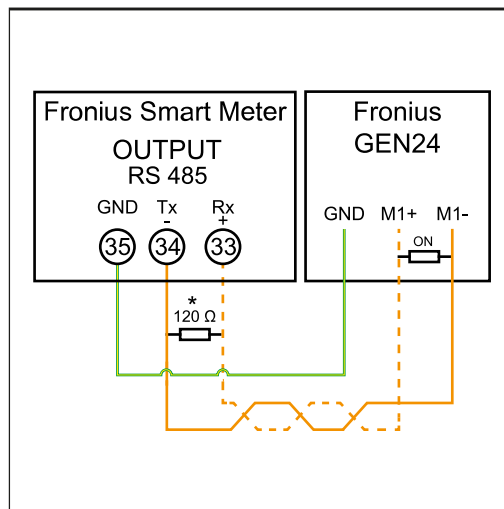
Connect the data communication connections of the Fronius Smart Meter to the Fronius system monitoring in the inverter. Several Smart Meters can be installed in the system, see chapter [Multi meter system - Fronius SnapINverter](#) on page 17.



- 1 Connect **35** to **-**.
- 2 Connect **34** to **D-**.
- 3 Connect **33** to **D+**.

Fronius GEN24 inverter:

Connect the data communication connections of the Fronius Smart Meter to the Modbus interface of the Fronius GEN24 inverter. Several Smart Meters can be installed in the system, see chapter [Multi meter system - Fronius GEN24 inverter](#) on page 19.



- 1 Connect **35** to **GND**.
- 2 Connect **34** to **M1-**.
- 3 Connect **33** to **M1+**.

IMPORTANT!

More information on successful commissioning.

Note the following information about connecting the data communication cable to the inverter.

- ▶ Use cables of type CAT5 or higher.
- ▶ The maximum cable length between the Fronius inverter and Fronius Smart Meter is 300 meters.
- ▶ Use a mutual twisted cable pair for data lines that belong together (D+, D- and M1+, M1-).
- ▶ If the output cables are close to the grid cabling, use wires or cables that are designed for 300 V to 600 V (never less than the operating voltage).
- ▶ Use double-insulated or sheathed output cables when they are close to bare conductors.
- ▶ Use shielded twisted pair cables to avoid faults.
- ▶ The outputs of the Fronius Smart Meter are electrically isolated from hazardous voltages.

Terminating resistors - explanation of symbols



Inverter in the system

z. e.g., Fronius Symo



Meter - Fronius Smart Meter

Terminating resistor R 120 Ohm is included in the scope of supply.



Fronius or third-party device, connection via Modbus RTU

e.g., Fronius Ohmpilot, battery, etc.



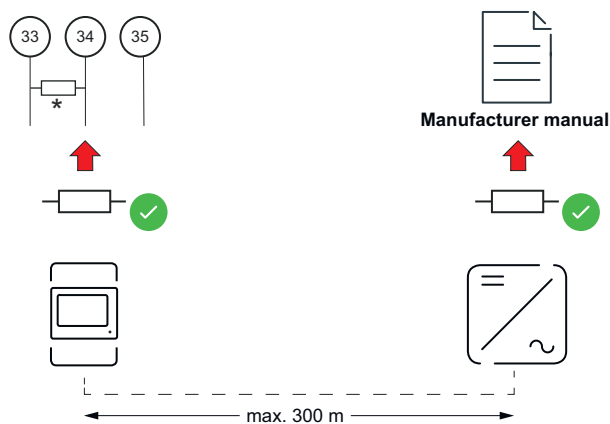
Terminating resistor

R 120 Ohm

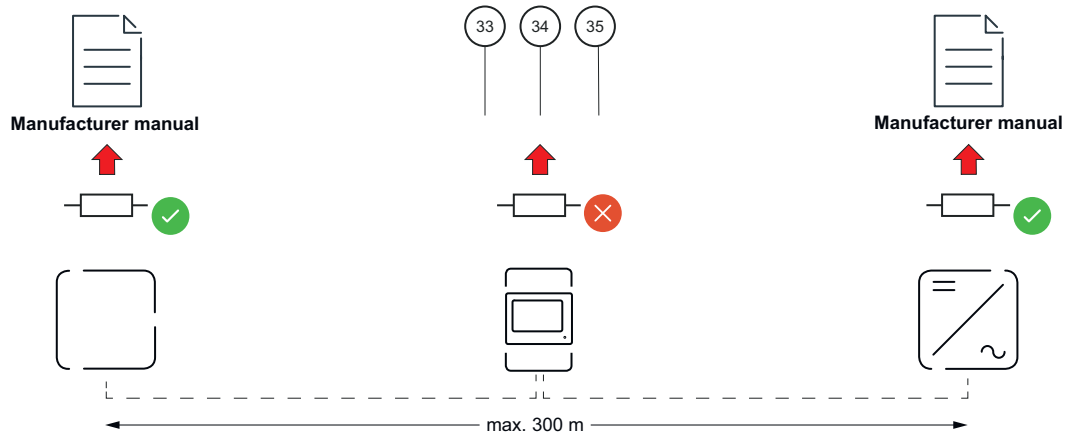
Terminating resistors

Due to interference, the use of terminating resistors according to the following overview is recommended for flawless operation.

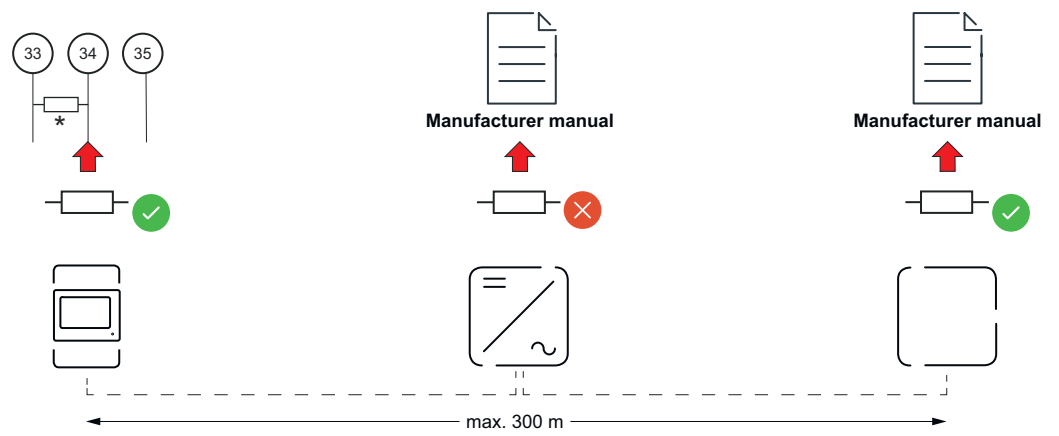
OPTION 1



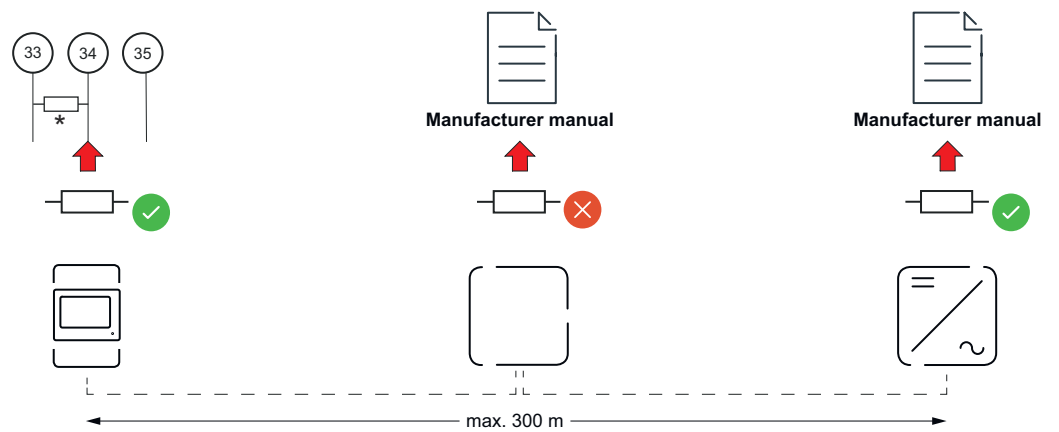
OPTION 2



OPTION 3



OPTION 4



* The terminating resistor on the Fronius Smart Meter is installed between **33** and **34**. The terminating resistor R 120 Ohm is included with the Fronius Smart Meter.

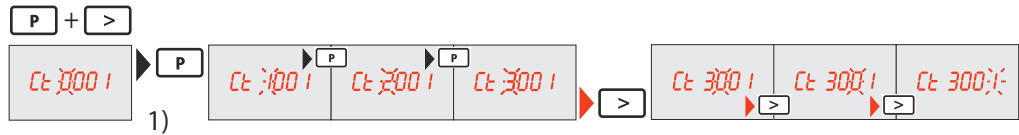
Setting the transformation ratio of the current and voltage transformers on the Fronius Smart Meter

Only the transformation ratio of the current and voltage transformers must be set. All other parameters have already been set in advance.

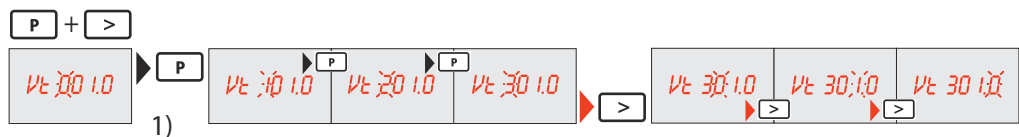
Password (0001):



Transformation ratio of the current transformers¹⁾ (0001 - 9999²⁾):



Transformation ratio of the voltage transformers^{1), 3)} (001.0 - 500.0²⁾):



Change password and write it down⁴⁾:



¹⁾**IMPORTANT!** Changing the transformation ratios will reset the meter data in the Fronius Smart Meter to 0.

²⁾ Transformation ratio in the current transformer x Transformation ratio of the voltage transformers = max. 1,000,000.

³⁾ Changeover only when using voltage transformers (direct voltage measurement $V_t = 1$).

⁴⁾**IMPORTANT!** The password cannot be reset.

Multi meter system - Explanation of symbols



Grid

Supplies the loads in the system if insufficient power is being generated by the PV modules or supplied by the battery.



Inverter in the system

e.g. Fronius Primo, Fronius Symo, etc.



Utility meter

Measures the metering data relevant for the billing of electricity quantities (primarily the kilowatt hours of grid purchases and grid power feed). On the basis of the data relevant for billing, the electricity retailer invoices a grid purchase and the purchaser of the surplus pays for the grid power feed.

**Primary meter**

Records the load curve of the system and makes the measured data available for energy profiling in Fronius Solar.web. The primary meter also regulates the dynamic feed-in control.

**Secondary meter**

Records the load curve of individual loads and producers (e.g. washing machine, lights, television, heat pump, etc.) in the consumption branch and makes the measured data available for energy profiling in Fronius Solar.web.

**Modbus RTU, Third-party device**

e.g. Fronius Ohmpilot, battery, etc.

**Loads in the system**

e.g. washing machine, lamps, TV, etc.

**Additional loads in the system**

e.g. heat pump

**Additional producers in the system**

e.g. wind power plant

**Terminating resistor**

R 120 Ohm

Modbus participant - Fronius SnapINverter

A maximum of 4 Modbus stations can be connected to the Modbus connection terminal.

IMPORTANT!

Only one primary meter, one battery and one Ohmpilot can be connected per inverter. Due to the high data transfer of the battery, the battery occupies 2 subscribers.

Example:

Input	Battery	Fronius Ohmpilot	Number of primary meters	Number of secondary meters
Modbus	✓	✓	1	0
	✓	✗	1	1
	✗	✓	1	2
	✗	✗	1	3

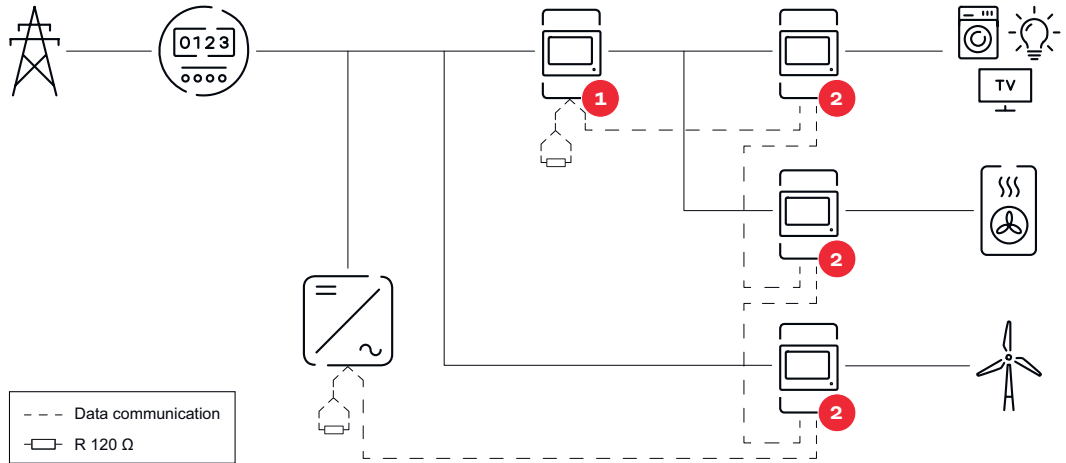
Multi meter system - Fronius SnapINverter

If several Fronius Smart Meters are installed, a separate address must be set for each one (see [Setting the address of the Fronius Smart Meter](#) on page 20). The primary meter always receives the address 1. All other meters are numbered

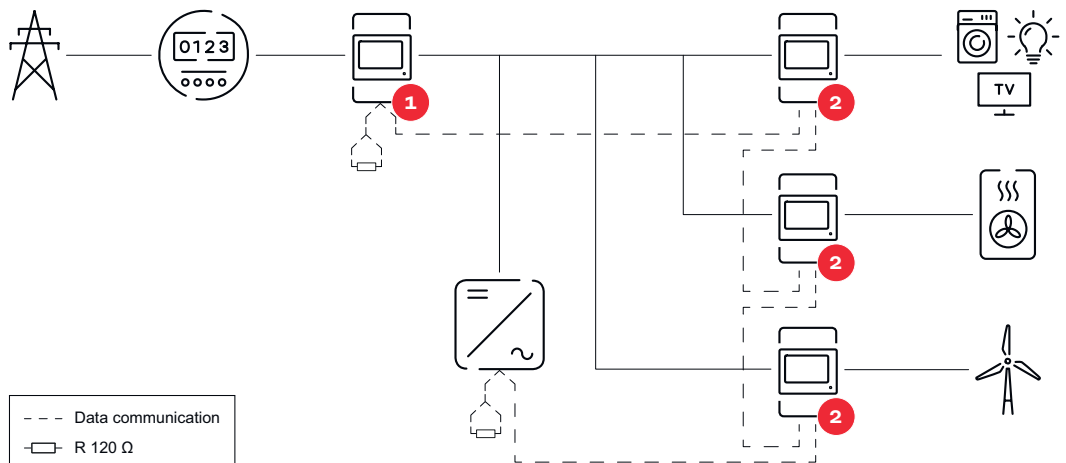
consecutively in the address range from 2 to 14. Different Fronius Smart Meter power categories can be used together.

IMPORTANT!

Use no more than 3 secondary meters in the system. To avoid interference, it is recommended to install the terminating resistors according to the chapter **Terminating resistors** on page 14.



Position of the primary meter in the consumption branch. *Termination resistor R 120 Ohm



Position of the primary meter at the feed-in point. *Termination resistor R 120 Ohm

The following must be observed in a multi meter system:

- Each Modbus address is assigned only once.
- Place the terminating resistors individually for each channel.

Modbus participant - Fronius GEN24

The inputs M0 and M1 can be freely selected. A maximum of 4 Modbus participants can be connected to the Modbus terminal on the inputs M0 and M1.

IMPORTANT!

Only one primary meter, one battery and one Ohmpilot can be connected per inverter. Due to the high data transfer of the battery, the battery occupies 2 subscribers.

Example 1:

Input	Battery	Fronius Ohmpilot	Number of primary meters	Number of secondary meters
Modbus 0 (M0)	✗	✗	0	4
	✓	✗	0	2
	✓	✓	0	1
Modbus 1 (M1)	✗	✗	1	3

Example 2:

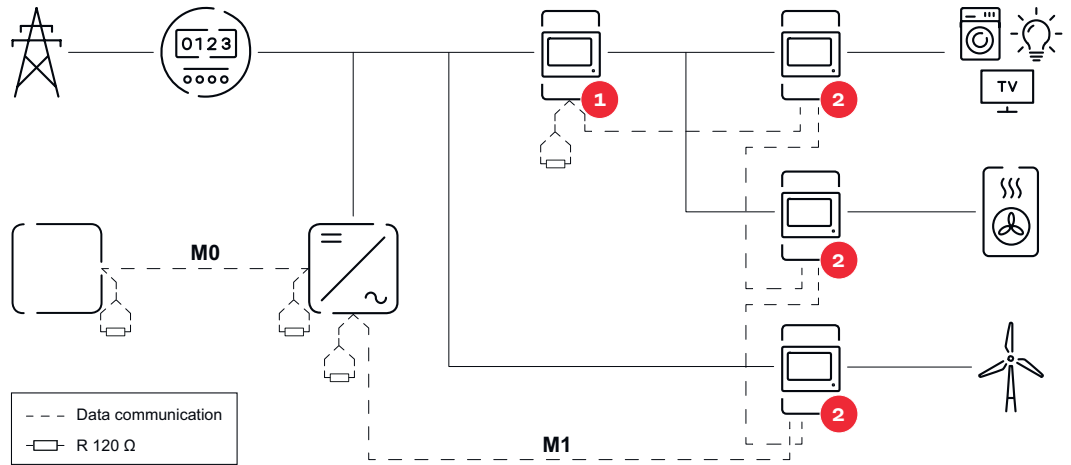
Input	Battery	Fronius Ohmpilot	Number of primary meters	Number of secondary meters
Modbus 0 (M0)	✗	✗	1	3
Modbus 1 (M1)	✗	✗	0	4
	✓	✗	0	2
	✓	✓	0	1

Multi meter system - Fronius GEN24 inverter

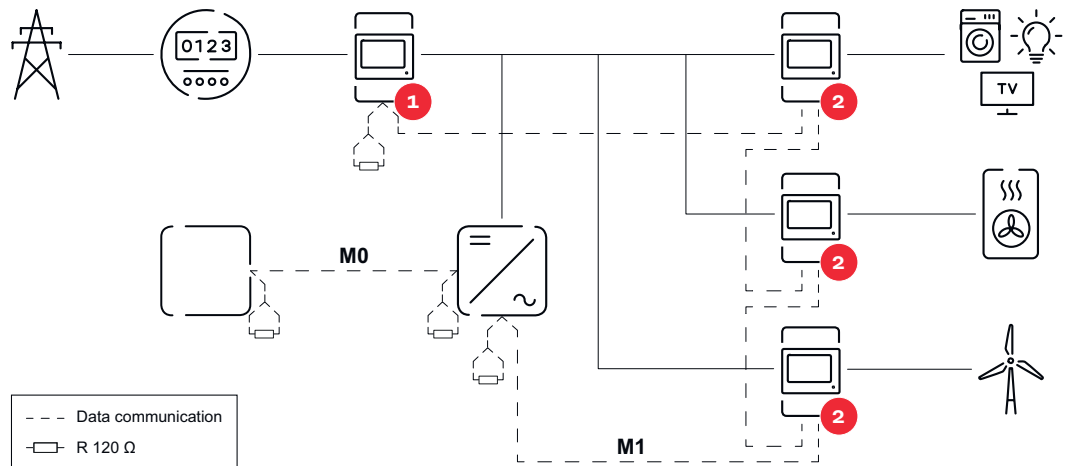
If several Fronius Smart Meters are installed, a separate address must be set for each one (see [Setting the address of the Fronius Smart Meter](#) on page 20). The primary meter always receives the address 1. All other meters are numbered consecutively in the address range from 2 to 14. Different Fronius Smart Meter power categories can be used together.

IMPORTANT!

Use no more than Use 7 secondary meters in the system. To avoid interference, it is recommended to install the terminating resistors according to the chapter [Terminating resistors](#) on page 14.



Position of the primary meter in the consumption branch. *Termination resistance R 120 Ohm



Position of the primary meter at the feed-in point. *Termination resistance R 120 Ohm

The following must be observed in a multi meter system:

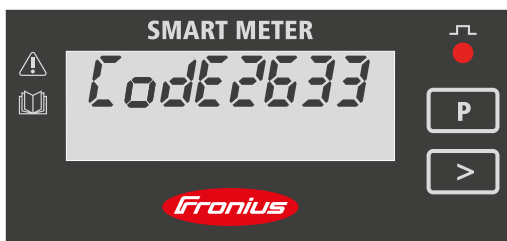
- Connect the primary meter and the battery to different channels (recommended).
- Distribute the remaining Modbus participants evenly.
- Each Modbus address is assigned only once.
- Place the terminating resistors individually for each channel.

Menu structure

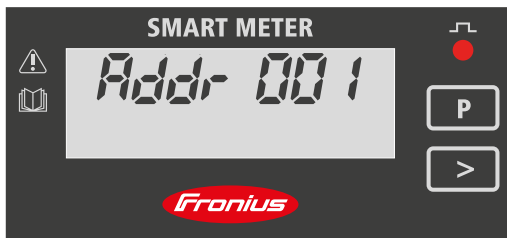
A graphic view of the menu structure can be found in the User Information that is supplied as standard.

Setting the address of the Fronius Smart Meter

Symbol	Name	Event	Function
	Prog	1 x	Increases the set value
	Page	1 x	Moves the cursor
	Enter	1 x	Confirms the entry



- 1 Press "Prog" and "Page" at the same time to enter the code.
- 2 Enter the password "2633". Increase the value with "Prog" and change to the next digit with "Page".







- 3 Press "Prog" and "Page" at the same time again to switch to the menu item "Addr" (address).
- 4 Set the relevant address.
 - Permissible values: 1 - 14

IMPORTANT!

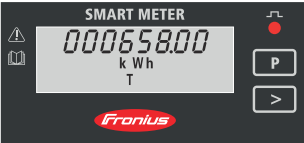
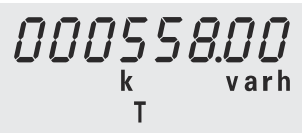

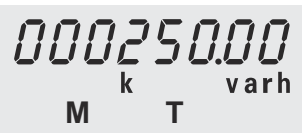
Only configure the menu items "Password" and "Address".

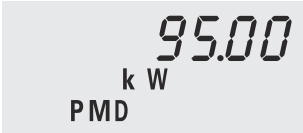
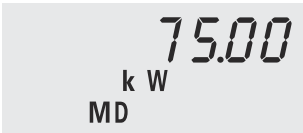
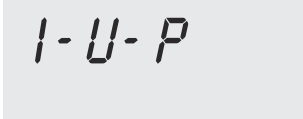
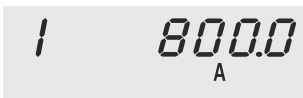
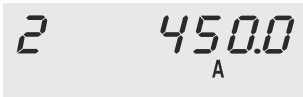


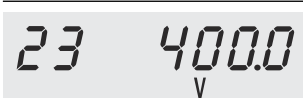
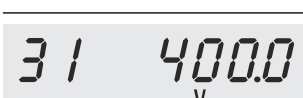
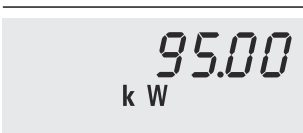
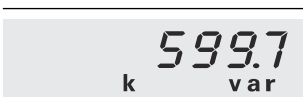

- ▶ The parameter „Node A“ is preset and must not be changed.

Reading the Fronius Smart Meter operating parameters

Symbol	Name	Event	Function
	Page	1 x 	Continue to the next screen
	Page	5 seconds 	Reset value / change menu

The following illustrations are symbolic representations. The values displayed vary for each individual unit.

Display	Description
	Total active energy consumed
	Total reactive energy
	Total active energy produced Press arrow key for 5 seconds to reset the value
	Partial reactive energy Press arrow key for 5 seconds to reset the value

Display	Description
 <p>95.00 k W PMD</p>	<p>Maximum effective power average value</p> <p>Press arrow key for 5 seconds to reset the value</p>
 <p>75.00 k W MD</p>	<p>Effective power average value</p>
 <p>1-U-P</p>	<p>Voltage and current menu</p> <p>Press the arrow key and wait 2 seconds until the next display (current phase L1) appears.</p>
 <p>1 800.0 A</p>	<p>Current phase L1</p>
 <p>2 450.0 A</p>	<p>Current phase L2</p>
 <p>3 600.0 A</p>	<p>Current phase L3</p>
 <p>12 400.0 V</p>	<p>Chained voltage phase L1-L2</p>
 <p>23 400.0 V</p>	<p>Chained voltage phase L2-L3</p>
 <p>31 400.0 V</p>	<p>Chained voltage phase L1-L3</p>
 <p>95.00 k W</p>	<p>Effective power</p>
 <p>599.7 k var</p>	<p>Reactive power</p>
 <p>425.4 k VA</p>	<p>Apparent power</p>

Commissioning

Fronius SnapINverter

General

IMPORTANT! Settings in the "Meter" menu item may only be entered by staff trained to do so!

The service password must be entered for the "Meter" menu item.

Three-phase or one-phase Fronius Smart Meters may be used. In both cases, selection is made via the "Fronius Smart Meter" item. The Fronius Datamanager automatically detects the meter type.

One primary meter and several secondary meters can be selected. The primary meter must be configured before a secondary meter can be chosen.

Connect to Fronius Datamanager 2.0

Access Point:

Activate the WiFi access point of the inverter:

- 1 Select the **Setup** menu on the inverter display.
- 2 Navigate to **WiFi Access Point**.
 - ✓ *Network (SS) and password (PW) are displayed.*
- 3 Activate the **WiFi Access Point** with the Enter ↵ key.

Establish the connection from the inverter's WiFi access point to the PC:

- 1 Establish the connection to the inverter in the network settings (the inverter is displayed with the name "Fronius_240.XXXXXX").
 - 2 Enter and confirm the password from the inverter display.
 - 3 In the browser's address bar, enter the IP address <http://192.168.250.181> and confirm.
- ✓ *The Fronius Datamanager 2.0 start page is displayed.*
-

LAN:

- 1 Connect the Fronius Datamanager and computer with a LAN cable.
 - 2 Place the Fronius Datamanager 2.0 IP switch in the "A" position.
 - 3 In the browser's address bar, enter the IP address <http://169.254.0.180> and confirm.
-

Configuring the Fronius Smart Meter as the primary meter

- 1 Go to the Fronius Datamanager website.
 - Open the web browser.
 - In the address bar of the browser, enter the IP address (IP address for WLAN: 192.168.250.181, IP address for LAN: 169.254.0.180) or the host and domain name of the Fronius Datamanager and confirm.
 - The Fronius Datamanager website will be displayed.
- 2 Click the **"Settings"** button.
- 3 Log in to the login area with the **"service"** user and the service password.
- 4 Open the **"Meter"** menu area.
- 5 Select the primary meter from the drop-down list.
- 6 Click the **"Settings"** button.

- 7 In the pop-up window, set the position of the meter (feed-in point or consumption point). For more information on the position of the Fronius Smart Meter, see [Positioning](#) on page 6.
- 8 Click the **"Ok"** button when the OK status is displayed. If the *Timeout* status is displayed, try again.
- 9 Click the button to save the settings.

The Fronius Smart Meter is configured as a primary meter.

The **"Current general view"** menu area displays the power of the PV modules, self-consumption, the energy fed into the grid, and the battery charge (if available).

Configuring the Fronius Smart Meter as a secondary meter

- 1 Go to the Fronius Datamanager website.
 - Open the web browser.
 - In the address bar of the browser, enter the IP address (IP address for WLAN: 192.168.250.181, IP address for LAN: 169.254.0.180) or the host and domain name of the Fronius Datamanager and confirm.
 - The Fronius Datamanager website will be displayed.
- 2 Click the **"Settings"** button.
- 3 Log in to the login area with the **"service"** user and the service password.
- 4 Open the **"Meter"** menu area.
- 5 Select the secondary meter from the drop-down list.
- 6 Click the **"Add"** button.
- 7 Enter the name of the secondary meter in the **"Name"** input field.
- 8 Enter the previously assigned address in the **"Modbus address"** input field.
- 9 Add meter description.
- 10 Click the button to save the settings.

The Fronius Smart Meter is configured as a secondary meter.

Fronius GEN24 inverter

General

IMPORTANT! Settings in the "Device configuration" menu item may only be entered by staff trained to do so!

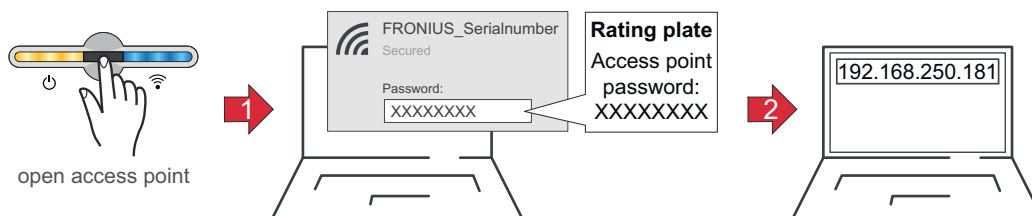
The service password must be entered for the "Device configuration" menu item.

Three-phase or one-phase Fronius Smart Meters may be used. In both cases, selection is made via the "Components" menu area. The meter type is determined automatically.

One primary meter and several secondary meters can be selected. The primary meter must be configured before a secondary meter can be chosen.

Installation using the web browser

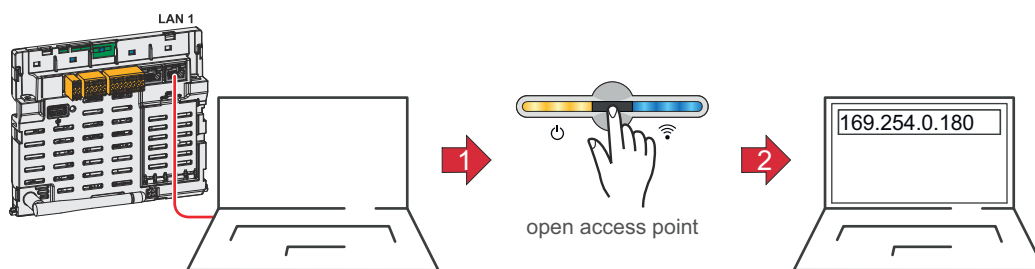
WLAN:




- 1 Open the access point by touching the sensor
 ✓ *Communication LED flashes blue.*
- 2 Establish the connection to the inverter in the network settings (the inverter is displayed with the name "FRONIUS_" and the serial number of the device).
- 3 Enter the password from the rating plate and confirm.
 IMPORTANT!
 To enter the password on a Windows 10 operating system, the link "**Connect using a security key instead**" must first be activated to establish a connection with the password.
- 4 In the browser address bar, enter and confirm the IP address 192.168.250.181. The installation wizard is opened.
- 5 Follow the installation wizard in the individual sections and complete the installation.
- 6 Add the system components in Fronius Solar.web and start up the PV system.

The network wizard and the product setup can be carried out independently of each other. A network connection is required for the Fronius Solar.web installation wizard.

Ethernet:



- 1 Establish a connection to the inverter (LAN1) with a network cable (CAT5 STP or higher).
- 2 Open the access point by touching the sensor once 
✓ *Communication LED flashes blue.*
- 3 In the browser address bar, enter IP address 169.254.0.180 and confirm. The installation wizard is opened.
- 4 Follow the installation wizard in the individual sections and complete the installation.
- 5 Add the system components in Fronius Solar.web and start up the PV system.

The network wizard and the product setup can be carried out independently of each other. A network connection is required for the Fronius Solar.web installation wizard.

Configuring the Fronius Smart Meter as the primary meter

- 1 Access the inverter website.
 - Open the web browser.
 - In the address bar of the browser, enter the IP address (IP address for WLAN: 192.168.250.181, IP address for LAN: 169.254.0.180) or the host and domain name of the inverter and confirm.
 - The inverter website is displayed.
- 2 Click the **"Device configuration"** button.
- 3 Log in to the login area with the **"Technician"** user and the technician password.
- 4 Access the **"Components"** menu area.
- 5 Click the **"Add component"** button.
- 6 In the "Position" drop-down list, set the position of the meter (feed-in point or consumption point). For more information on the position of the Fronius Smart Meter, see [Positioning](#) on page 6.
- 7 Click the **"Add"** button.
- 8 Click the **"Save"** button to save the settings.

The Fronius Smart Meter is configured as a primary meter.

Configuring the Fronius Smart Meter as a secondary meter

- 1 Access the inverter website.
 - Open the web browser.
 - In the address bar of the browser, enter the IP address (IP address for WLAN: 192.168.250.181, IP address for LAN: 169.254.0.180) or the host and domain name of the inverter and confirm.
 - The inverter website is displayed.
- 2 Click the **"Device configuration"** button.

- 3 Log in to the login area with the "**Technician**" user and the technician password.
- 4 Access the "**Components**" menu area.
- 5 Click the "**Add component**" button.
- 6 In the "**Position**" drop-down list, select the meter type (producer/load meter).
- 7 Enter the previously assigned address in the "**Modbus address**" input field.
- 8 Enter the name of the meter in the "**Name**" input field.
- 9 In the "Category" drop-down list, select the category (producer or load).
- 10 Click the "**Add**" button.
- 11 Click the "**Save**" button to save the settings.

The Fronius Smart Meter is configured as a secondary meter.

Technical data

Technical data

Modbus transmission speed: 9600 baud

Parity bit: None

Software version: Datamanager 3.7.2 / Energypackage 1.3.3

Input	
Three-phase nominal voltage Operating range	400 - 415 V 363 to 457 V
Single-phase nominal voltage Operating range	230 - 240 V 210 to 264 V
Voltage transformer ratio (kVT)	1 - 1500.0 e.g., VT 20000/400V kVT = 50 For direct connection: kVT = 1
Self-consumption - voltage path (max. voltage)	4.5 VA (1.85 W) for 440 V
Nominal frequency Tolerance	50 - 60 Hz 47 to 63 Hz
Nominal current, I _b	1 A + 5 A
Maximum current, I _{max}	6 A
Starting current	20 mA
Current transformer ratio (kCT)	1 - 9999 e.g., TC 800/5A kCT = 160
Short-time overload (EN/IEC 62053-21, EN/IEC 62053-23)	20 I _{max} / 0.5 s
Self-consumption - current path (max. current)	0.3 W for phase
Maximum value kVT x kCT	5,000,000 (CT/1A) or 1,000,000 (CT/5A)
Current total harmonic distortion	In acc. with EN/IEC 62053-21
Power factor Operating range (EN/IEC 62053-21, EN/IEC 62053-23)	Active cosφ 0.5 ind to 0.8 cap, Reactive sinφ 0.5 ind to 0.5 cap

Energy	
Max. display	As per table
Resolution	As per table
LED indicator	1 pulse / 0.1 Wh
Active energy accuracy (EN/IEC 62053-21)	Class 1
Reactive energy accuracy (EN/IEC 62053-23)	Class 2
Response time after switch-on (EN/IEC 62053-21, EN/IEC 62053-23)	< 5 s

kCT x kVT	Maximum display		Resolution
1 to 9.9	9 9 9 9 9 9 . 9 9	kWh / kvarh	10 Wh / varh
10 to 99.9	9 9 9 9 9 9 9 . 9	kWh / kvarh	100 Wh / varh
100 to 999.9	9 9 9 9 9 9 9 9	kWh / kvarh	1 kWh / varh
1000 to 9999.9	9 9 9 9 9 9 . 9 9	MWh / kvarh	10 kWh / varh
≥ 10000	9 9 9 9 9 9 9 . 9	MWh / kvarh	100 kWh / varh

Average power	
Measured variable	Effective power
Calculation	Average value over set period of time
Integration time	5 / 8 / 10 / 15 / 20 / 30 / 60 minutes

Operating hours counter	
Operating hours counter	Hours and minutes
Resolution	7-digit (5 hours + 2 minutes)
Max. display	99,999 h 59 min
Counting start	3-phase effective power
Programmable values	0.10 to 50% Pn
3-phase effective power	In acc. with 400 V 5 A - 3464 W
Operating hours counter reset	Accessible via keypad or locked

Output	
Energy pulse Pulse output compatible with So EN/IEC 62053-31 Optical relay with NO contact SPST-NO, floating	
Contact load	110 V DC/AC - 50 mA
Assignable energy	Active or reactive energy
Pulse value	10 Wh (Varh) - 100 Wh (Varh) - 1 kWh (kVarh) - 10 kWh (kVarh) - 100 kWh (kVarh) - 1000 kWh (kVarh)
Pulse duration	50 - 100 - 150 - 200 - 300 - 400 - 500 ms
RS485 communication Electrically isolated from input and auxiliary voltage	
Standard	RS485 - 3 conductors
Transmission	Serial, asynchronous
Protocol	Modbus RTU
Addresses	1 to 255
Number of bits	8
Stop bit	1
Parity bit	None - even - odd
Baud rate	4800 - 9600 - 19200 bit/s
Response time	≤ 200 ms

Insulation (EN/IEC 62052-11, 62053-21)	
Installation category	III
Pollution degree	2
Insulation voltage	300 V phase-neutral
Impulse withstand voltage Test circuit	5 kV 1.2/60 μ s Voltage input, current input, pulse output, communication
Test voltage Test circuit	2.75 kV r.m.s. 50 Hz / 1 min Voltage input, current input, pulse output, communication
Test voltage Test circuit	4 kV r.m.s. 50 Hz / 1 min All circuits and ground

Electromagnetic compatibility	
Test in acc. with EN/IEC 62052-11	

Operating conditions	
Reference temperature	23 °C (\pm 2 °C)
Operating range	-5 to 55 °C
Temperature limit for storage and transport	-25 to 70 °C
Tropical model	
Max. power loss (for thermal dimensioning of the switch cabinet)	\leq 2.8 W

Housing	
Housing	4 modules according to DIN 43880
Sealable front and terminal cover	
Connection	Screw connection
Mounting	Can be snapped onto 35 mm DIN rail
Housing material	Polycarbonate, self-extinguishing
Degree of protection (EN 60529)	IP54 front, IP20 connections
Weight	260 grams

Screw terminals	
Measuring input	
Wire (rigid)	Min. 0.05 mm ² / max. 4 mm ²
Wire (flexible)	Min. 0.05 mm ² / max. 2.5 mm ²
Recommended torque	0.5 Nm / max. 0.8 Nm
Output	
Wire (rigid)	Min. 0.05 mm ² / max. 4 mm ²
Wire (flexible)	Min. 0.05 mm ² / max. 2.5 mm ²
Recommended torque	0.5 Nm / max. 0.8 Nm

Fronius manufacturer's warranty

Detailed, country-specific warranty conditions are available at www.fronius.com/solar/warranty.

To obtain the full warranty period for your newly installed Fronius product, please register at www.solarweb.com.



fronius.com/en/solar-energy/installers-partners/products-solutions/monitoring-digital-tools

**MONITORING &
DIGITAL TOOLS**

Fronius International GmbH

Froniusstraße 1
4643 Pettenbach
Austria
contact@fronius.com
www.fronius.com

At www.fronius.com/contact you will find the contact details of all Fronius subsidiaries and Sales & Service Partners.